

Symphony Plus™ ice and water dispenser

E 12 CI series countertop with Chewblet® ice machine



Shown with SensorSAFE™



SensorSAFE infrared dispense



SensorSAFE not recommended for use with clear containers or for applications in direct sunlight

| Model configurations | | | | |
|----------------------|---------------|------------|---------------------|---------------------|
| Ice storage capacity | Configuration | Dispense | Ice machine cooling | Item number |
| 5.4 kg | ice and water | Lever | air | E12CI414A-L |
| | ice-only | Lever | air | E12CI414A-LI |
| | ice and water | SensorSAFE | air | E12CI414A-S |
| | ice-only | SensorSAFE | air | E12CI414A-SI |

| Ice production | | |
|------------------------------------|--|--------------------|
| Temperatures air/water | 21/10 C | 32/21 C |
| Air-cooled | 176 kg | 137 kg |
| Energy consumption per 45.4 kg ice | N/A | 6.0 kWh air-cooled |
| Water consumption | 45.4 L of potable water per 45.4 kg of ice | |

Features

Narrow, 40.9 cm width 5.4 kg ice storage capacity Integral air-cooled ice machine with up to 176 kg daily production of Chewblet ice

- soft, chewable, compressed nugget ice is preferred over cubes¹ and is ideal for patient care
- sleep cycle turns off ice machine when idle

Designed with sanitation in mind

- automatic self-flushing of ice machine removes impurities
- drain cup provides internal air gap for added protection of food zone components from drain line contaminants
- Agion® silver-based antimicrobial provides protection of key ice and water contact components ²
- one-hand lever or SensorSAFE infrared ice dispense

Dependable design, easy to service and clean

- cleaning and sanitizing of entire machine takes only 1 hour
- LED control board provides at-a-glance machine status
- panels are easily removed for accessibility to all components
- ice machine parts are common across all Symphony Plus dispensers
- stainless steel evaporator and auger deliver long life

Environmentally responsible

- R290 refrigerant
- continuous ice making process uses less electricity and water

Durable, attractive dispenser

- stainless steel cabinet with accent trim
- poly drain pan, grille and dispenser lid are corrosion-resistant

Easy installation

- comes fully assembled and installs with three easy connections – electric, water and drain

Warranty

- 3 years parts and labor, 5 years compressor parts 3

Accessories

Base stand with or without factory installed water filter
 10.16 cm leg kit
 Pressurized water sanitizing kits
 Water filters

For additional water treatment and other accessories, contact Coast!

E 12 CI series countertop

Specification

| | |
|--|-----------------------------|
| Ice storage capacity | 5.4 kg |
| W1 Width | 40.9 cm |
| W2 Width, base stand accessory | 44.4 cm |
| D1 Depth, entire dispenser | 59.7 cm |
| D2 Depth, drain pan | 13.97 cm |
| D3 Depth, base stand accessory | 55.9 cm |
| H1 Height, dispenser | 82.6 cm |
| H2 Dispense height clearance | 23.83 cm |
| H3 Height, base stand accessory | 83.8 cm |
| H4 Height, leg kit accessory | 93.1 cm |
| Ventilation clearance | 15.24 cm top and right side |
| Service clearance | 30.5 cm top |
| Utility connection location | through back or bottom |
| C1 230 V/50/1 electrical | 10 amp plug |
| C2 Potable water inlet | 3/8" FPT |
| C3 Drain | 3/4" MPT |
| Ice production at 21 °C air, 10 °C water | 176 kg |
| Ice production at 32 °C air, 21 °C water | 137 kg |
| Heat rejection | 5000 BTU/hr |
| Air temperature | 10 - 38 °C |
| Water temperature | 7 - 32 °C |
| Potable water pressure | 69 - 483 kpa (10 - 70 psi) |
| Refrigerant | R290 |
| Approximate net weight | 65 kg |
| Approximate ship weight | 90 kg |
| Approximate ship weight, base stand accessory | 36 kg |
| NOTE: For indoor use only | |

SHORT FORM SPECIFICATION:

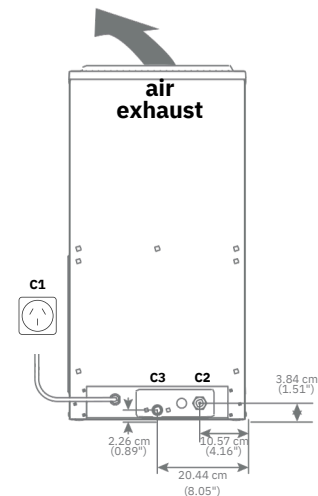
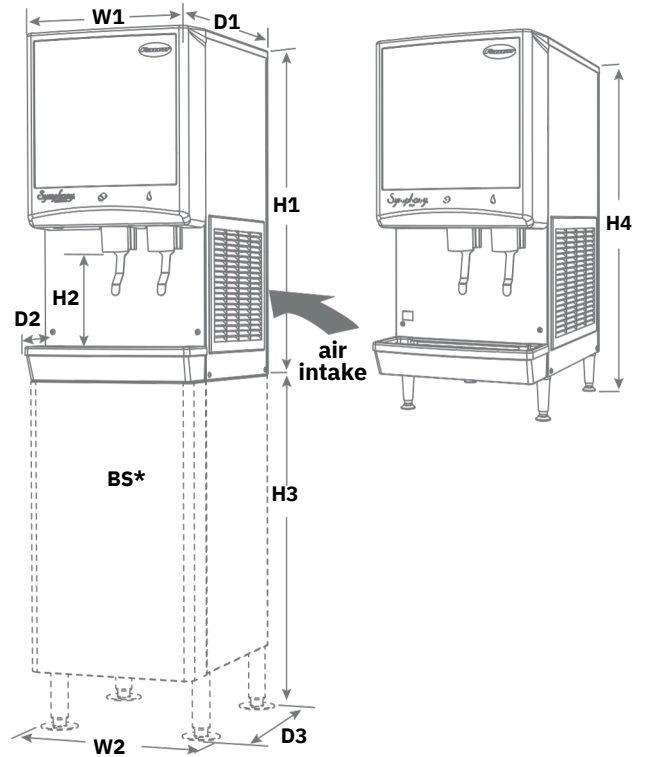
Ice and water or ice-only dispenser to be Follett® automatic load in countertop configuration, with 5.4 kg of storage and separate ice and water chutes. Air-cooled ice machine to produce Chewblet ice. Ice machine equipped with automatic self-flushing and Sleep Cycle sleep mode. Dispenser to have automatic bin level control to start and stop ice machine. Storage area to be insulated with CARB compliant non-HFC foam. CE and EU food contact compliant.

BS*– Base stand sold separately; measurements shown are with base stand legs at lowest position.

- 1 Independent third party studies. Contact Follett for details.
- 2 Disclaimer: Antimicrobial protection is limited to the treated components and does not treat water or ice.
- 3 Refer to price list for additional warranty information.

Agion is a registered trademark of Sciessent LLC.
 SYMPHONY PLUS, SENSORSAFE and QUIET NIGHT are trademarks of Follett Products, LLC.
 CHEWBLET and FOLLETT are registered trademarks of Follett Products, LLC, registered in the US.
 Follett reserves the right to change specifications at any time without obligation. Certifications may vary depending on country of origin.

Dimensional drawing



E 12 CI series countertop

FOLLETT[®]
 1000-202209 | © Follett Products, LLC



COAST ICE & COLD
 SOLUTIONS

Coast Distributors Pty Ltd
 Ph: (02) 9524 1234 / 1800 688 590
 PO Box 288, Unanderra, NSW 2526
sales@coastdistributors.com.au
www.coastdistributors.com.au