

### KEY FEATURES

- High performance, even heat 28mj cooktop burners for peak productivity.
- Constant pilot flame as standard, maximises operating and energy efficiency.
- Heavy duty removable, easy clean cast iron trivets.
- Stainless steel fascia and sides, spill zone and drip trays for ease of cleaning.
- Flexible modular cooktop design enables many combinations of Burners, Griddle and BBQ.
- Static, fan forced or convection oven options in gastronorm compatible sizes: 490 & 690mm wide.
- Ovens are fully insulated vitreous enamel for even heat and easy cleaning.
- Heavy duty welded steel body for rigidity and durability.



**PF-4-20**



**PF-6-28**



**PF-24G-2-28**

### MODELS

**PF-4-20**

+ oven & griddle options

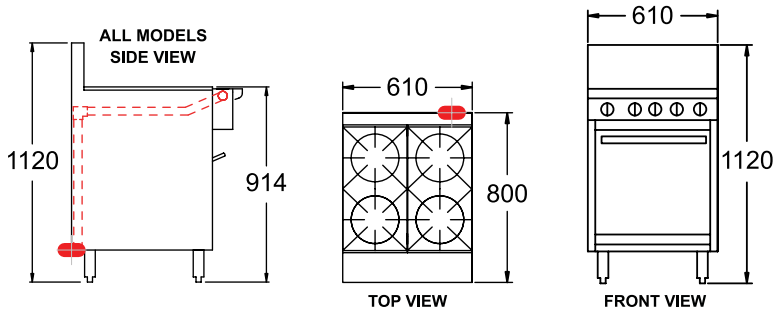
**PF-4-28**

+ oven & griddle options

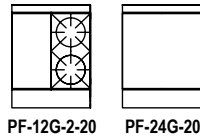
**PF-6-28**

+ & griddle options

**PF-4-20**



**Griddle Options:**

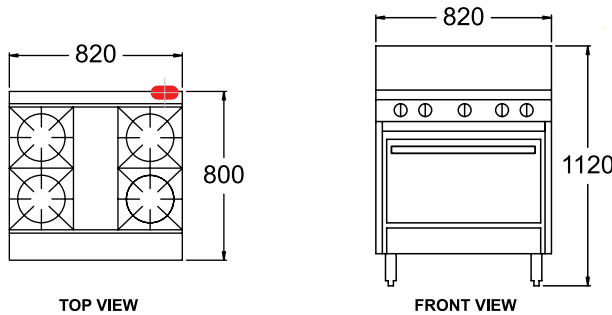


**MODEL: PF-4-20 Specifications:**

<b>Dimensions (WxDxH):</b>	610 x 800 x 1120 mm
<b>Working Height:</b>	914 mm
<b>Oven Size (WxDxH):</b>	505 x 560 x 355 mm
<b>Weight:</b>	129 kg
<b>Packed:</b>	0.5 m <sup>3</sup>
<b>Gas Connection:</b>	19 mm
<b>Rating:</b>	134 Mj
<b>Burners:</b>	4 *

\* See Griddle options

**PF-4-28**

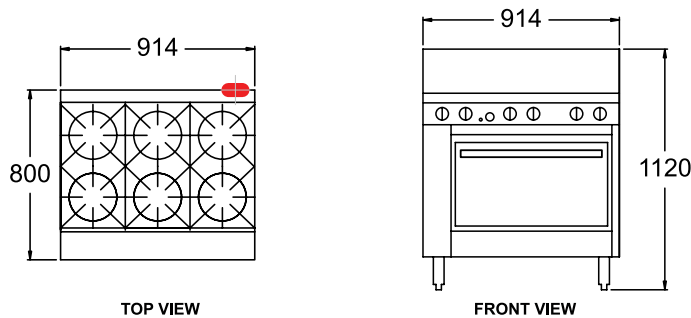


**MODEL: PF-4-28 Specifications:**

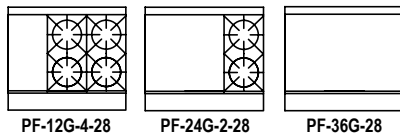
<b>Dimensions (WxDxH):</b>	820 x 800 x 1120 mm
<b>Working Height:</b>	914 mm
<b>Oven Size (WxDxH):</b>	711 x 560 x 355 mm
<b>Weight:</b>	135 kg
<b>Packed:</b>	0.7 m <sup>3</sup>
<b>Gas Connection:</b>	19 mm
<b>Rating:</b>	138 Mj
<b>Burners:</b>	4 *

\* See Griddle options

**PF-6-28**



**Griddle Options:**



**MODEL: PF-6-28 Specifications:**

<b>Dimensions (WxDxH):</b>	914 x 800 x 1120 mm
<b>Working Height:</b>	914 mm
<b>Oven Size (WxDxH):</b>	711 x 560 x 355 mm
<b>Weight:</b>	227 kg
<b>Packed:</b>	0.8 m <sup>3</sup>
<b>Gas Connection:</b>	19 mm
<b>Rating:</b>	190 Mj
<b>Burners:</b>	6 *

\* See Griddle options

**Other options:**

- All ovens available in fan forced or fan convection format.
- All ovens available in electric with gas cooktop.
- Flame Failure on open burners.
- Glass door to oven.
- Castors.
- Drop-on Griddle.
- Drop-on Char grill.

Goldstein Eswood continually works on improving our products, so dimensions may change without notice. For any construction critical dimensions please check with us.

**GOLDSTEIN ESWOOD**  
211 - 217 Woodpark Rd SMITHFIELD NSW 2164  
T: 1800 013 123 F: 02 96045420  
E: sales@goldsteineswood.com.au

goldsteineswood.com.au

