



Electrolux

**Warewashing
Undercounter Dishwasher with
Drain Pump, Detergent Dispenser &
Multitrack**

ITEM # _____

MODEL # _____

NAME # _____

SIS # _____

AIA # _____



Electrolux



Warewashing

Undercounter Dishwasher with Drain Pump, Detergent Dispenser & Multitrack

400138 (NUC1GMS)

Undercounter dishwasher, single skin with pressure boiler, drain pump and detergent dispenser, multitrack, 1 phase, 40r/h (Oceania)

Short Form Specification

Item No.

304 AISI stainless steel front and side panels, door, control panel and wash tank. Double skinned door. Wash tank with rounded corners. Wash arms and jets in polypropylene, easy to remove. 2 wash cycles 90/180 seconds. Soft start wash pump to avoid accidental breakage of dishes/glasses. Washing system with rotating washing arms, large capacity wash pump and tank volume. Built-in pressure boiler, 5,8 liter capacity for hot rinse cycle (80-90°C). Boiler with 304 welding for protection against corrosion. Drain pump. Electronic controls with temperature display. External connecting box protected by a waterproof plastic cover. Self-cleaning cycle. Rinse aid and detergent dispenser.

Hourly capacity: 40 baskets. Double rack support suitable to use different racks: 500x500 mm, 17"x14" (430x365 mm) 172x17" (430x430 mm)

Supplied with: n. 1 basket for plates and n. 1 cutlery holder.

Main Features

- Built-in pressure boiler sized to raise incoming 50 °C water to guarantee a minimum rinsing temperature of 82 °C for sanitizing rinse. No external booster is required.
- Provided with a double rack allowing the use of 3 types of racks: the first rail support can accommodate standard 500x500 mm racks; the second can accommodate either 17"x17" (435x435 mm) or 17"x14" (435x365 mm) racks, both of which stop in the middle of the washing chamber.
- Incorporated Soft Start feature to offer additional protection to more delicate items.
- Washing system endowed with rotating washing arms, high powered wash pump and large capacity boiler for professional washing.
- 4 second (variable) pause after washing and before rinsing ensures that no drops of unclean water will fall on the clean items at the end of the rinsing cycle.
- Fully automatic self-cleaning cycle avoids the risk of bacteria proliferation.
- Equipped with drain pump for easy and quick installation without opening the machine.
- 90/180 seconds cycle.
- Simple control panel with digital display allows on-site personalization of washing and rinsing cycle times and temperatures as well as precise rinse aid and detergent quantities to suit customer's needs.
- Easy to remove wash/rinse arms.
- Simple service from the front.
- IPX 4 water protection.
- Pre-arrangement for HACCP system implementation and Energy Management device.

Construction

- Unit to feature smooth surfaces to facilitate cleaning.
- Front and side panels, door and wash tank made in heavy duty anti-corrosive AISI 304 stainless steel.
- 304 stainless steel boiler with higher welding protection to increase resistance to corrosion.
- PVC water supply hose with metal connections resistant to high water pressure.
- Completely closed on the back by a cover plate.
- Single phase electrical connection.
- Unit to feature rinse aid and detergent dispenser pumps.

Included Accessories

- 1 of Basket for 18 dinner plates - yellow PNC 867002
- 1 of Yellow cutlery container PNC 864242

APPROVAL: _____



Electrolux

Warewashing Undercounter Dishwasher with Drain Pump, Detergent Dispenser & Multirack

Optional Accessories

- 12lt external manual water softener PNC 860412
- AISI 304 stainless steel back panel for undercounters EUC PNC 864246
- 8lt external automatic water softener PNC 860413
- Basket for 18 dinner plates - yellow PNC 867002
- Basket for 48 small cups or 24 cups - blue PNC 867007
- Cover rack for small and light items (500x500 baskets) PNC 867016
- External detergent level probe kit PNC 864004
- Detergent dosing kit PNC 864218
- Filter for partial demineralization PNC 864017
- HACCP printer kit PNC 864002
- Integrated HACCP kit PNC 864001
- Kit 4 plastic boxes for cutlery - yellow PNC 865574
- Kit to measure total and partial water hardness PNC 864050
- External rinse aid level probe kit PNC 864005
- Rinse booster pump kit for single tank pressure dishwasher PNC 864051
- Stainless steel tank filter for single skin undercounter PNC 864222
- Stainless steel inlet hose kit PNC 864016
- Stand for undercounter dishwasher PNC 860418
- Yellow cutlery container PNC 864242



Warewashing
Undercounter Dishwasher with Drain Pump, Detergent Dispenser &
Multirack
The company reserves the right to make modifications to the products
without prior notice. All information correct at time of printing.

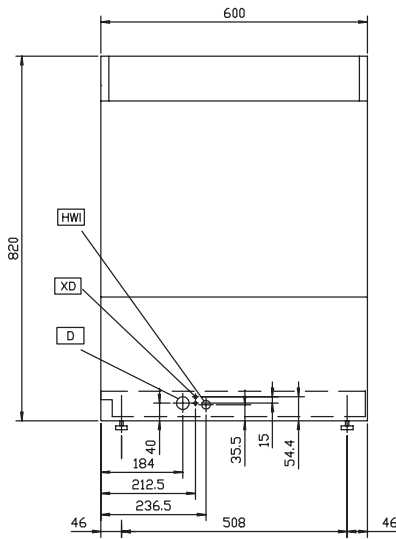
2013.03.06



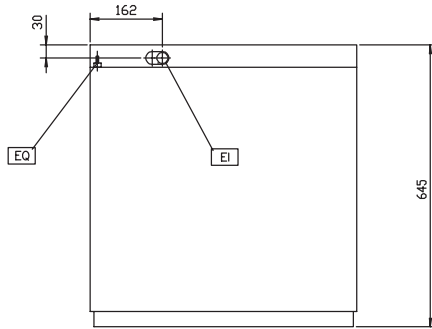
Electrolux

Warewashing Undercounter Dishwasher with Drain Pump, Detergent Dispenser & Multirack

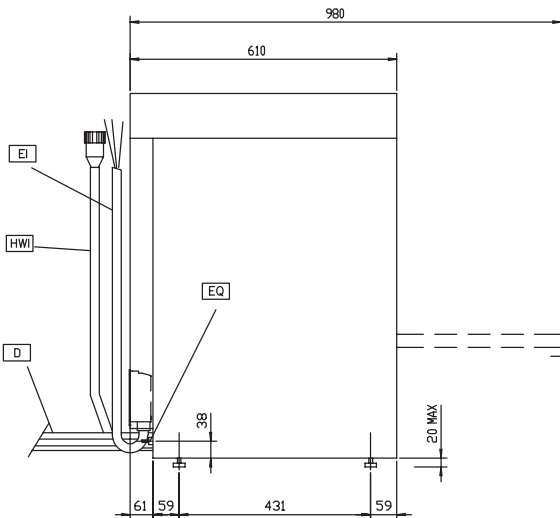
Front



Top



Side



D = Drain
 EI = Electrical connection
 HWI = Hot water inlet
 XD = Detergent connection

Electric

| | | |
|--------------------------|-----------------|-------------------|
| Supply voltage: | 400138(NUC1GMS) | 230 V/1N ph/50 Hz |
| Total Watts: | | 3.65 kW |
| Boiler heating elements: | | 2.8 kW |
| Tank heating elements: | | 2 kW |
| Wash pump size: | | 0.736 kW |

Water:

| | |
|-----------------------------------|-------------------------|
| Water supply temperature: | 65°C |
| Water supply hardness (MAX): | 7-14°FH (4-8°dH) |
| Inlet Water supply pressure: | 29 - 44 psi (2 - 3 bar) |
| Water consumption per cycle (lt): | 3 |
| Boiler Capacity (lt): | 5.8 |
| Tank Capacity (lt): | 33 |
| Drain line size: | 20.5mm |

Key Information:

| | |
|------------------------------|----------------|
| N° of cycles - sec.: | 2 (90/180) |
| Baskets per hour: | 40 |
| Dishes per hour: | 540 |
| Wash temperature (MIN): | 55-65°C |
| Rinse temperature (MIN): | 80-90 °C |
| External dimensions, Height: | 820 mm |
| External dimensions, Width: | 600 mm |
| External dimensions, Depth: | 610 mm |
| Packaging size (WxDxH): | 600x610x820 mm |
| Noise level: | <70 dBA |
| Cell dimensions - width: | 500 mm |
| Cell dimensions - depth: | 500 mm |
| Cell dimensions - height: | 330 mm |



Warewashing Undercounter Dishwasher with Drain Pump, Detergent Dispenser & Multirack
 The company reserves the right to make modifications to the products without prior notice. All information correct at time of printing.