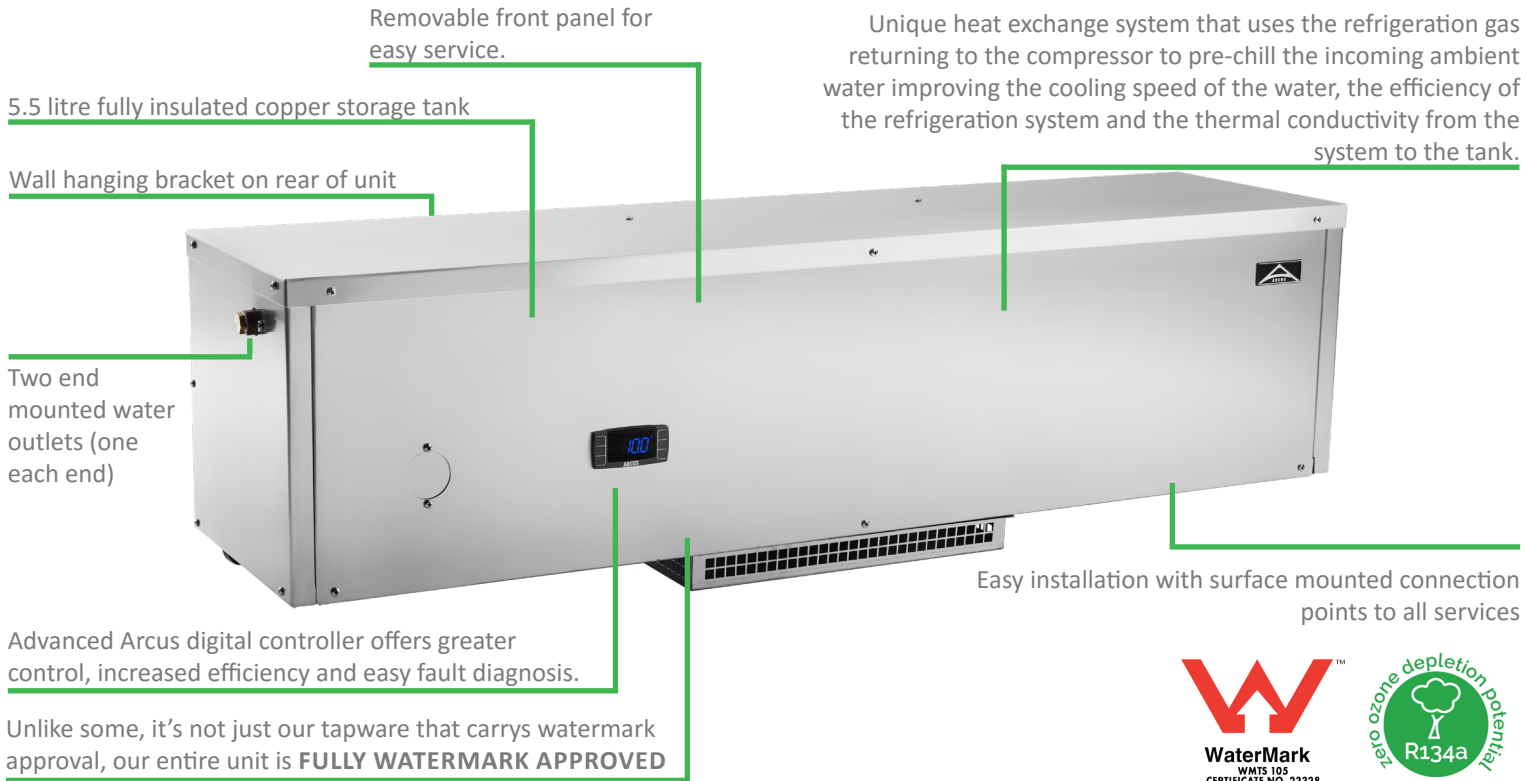




## US62 Water Cooler

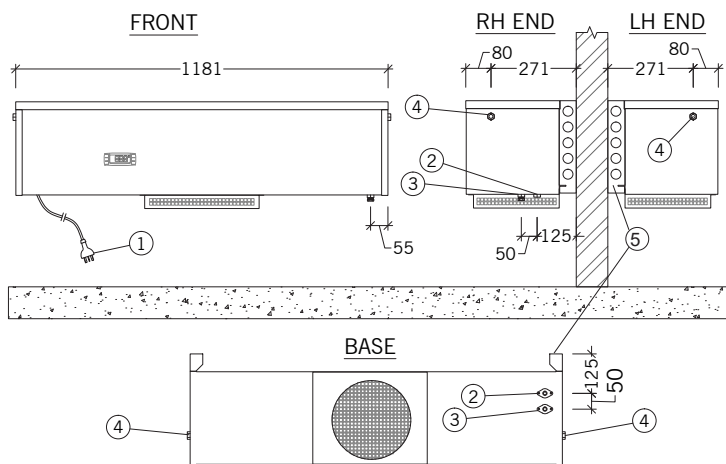
This West Australian made water cooler was designed to be located below our HT series trough or to be used as a remote water source for other items such as ice machines (increases production), bakery equipment and more. It will deliver 62 litres of 10°C water per hour at rated conditions.



Unlike some, it's not just our tapware that carries watermark approval, our entire unit is **FULLY WATERMARK APPROVED**



### TECHNICAL DATA



### OPTIONS

- Triple action 5 micron water filter.
- External UV sterilisation system.
- Condenser Coil Protection to reduce coil corrosion in harsh environments.

### Connections

1. Plug & Lead (1.5m 10amp)
2. Water Inlet (3/8" BSP, Female)
3. Tank Drain (3/8" BSP, Female)
4. Water Out (3/8" BSP Female)

### Packaged Dimensions (no skid)

1191x361x300 (WxDxH)

### Packaged Weight (no skid)

54kg

### Power

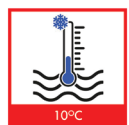
240V +/-10%, 50hz, 5.00amps

### Incoming Water Pressure

140 - 700kPa (Min - Max)

APPROXIMATE OUTPUT*1 IN LITRES PER HOUR AT 10°C				
WATER INLET TEMP	AMBIENT TEMPERATURE			
	20°	30°	40°	45°
15°	297	137	169	165
25°	69	62	56	55
30°	52	47	42	41
40°	35	31	28	7

HIGHLIGHTED NUMBER DENOTES RATED CONDITIONS



1 - Approximate litres per hour is based on the tank size plus the units hourly recovery rate at its rated conditions. For example the STW 78 has a 47 litre tank and 31 litres recovery this gives 78 litres per hour.

2 - Please specify when requesting a price, tap combinations should be set prior to dispatch from our factory.

In line with policy to continually improve its products, Arcus Australia Pty Ltd reserves the right to change specifications and design without notice. E&OE

