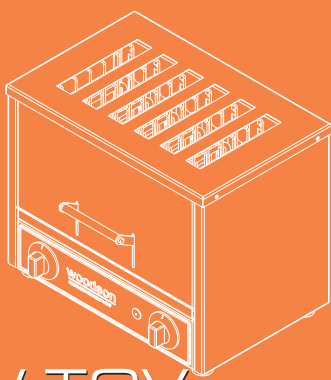


COUNTERTOP SERIES



W.TOV vertical toaster

APPLICATIONS

- Ideal for the toasting of bread and similar products

APPLICATIONS

- Option of 5 or 6 slice models
- Suits 135mm x 120mm slices
- Wide toasting slots take slices up to 20mm

FEATURES & BENEFITS

- Switch allows user the choice of either 2, 4 or all slice operation
- Complete stainless steel construction
- Operates with element timer
- Toast remains warm in the unit, ready for lift
- Easy to clean removable crumb tray
- Heavy duty commercial elements for durability and long life
- Supplied with chrome wire guides to locate



Manual lift for timely processing of toast



Energy efficient slot selection switch

SPECIFICATIONS

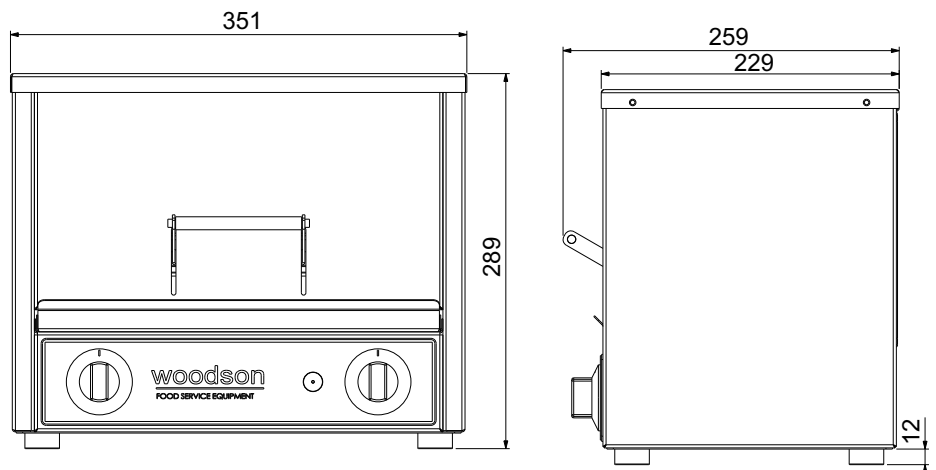
WTOV5 - 5 slice, 10 amp model
2.4kW W 350 D 260 H 290

SPECIFICATIONS

WTOV6 - 6 slice, 15 amp model
3.6kW W 350 D 260 H 290

Dealer:

W.TOV5/6



We reserve the right to alter specifications of products without notice

**For details of
your local
dealer, contact:**

QLD
Tel: 07 3440 7600
Fax: 07 3344 1000
fse@stoddart.com.au

NSW
Tel: 02 8832 4399
Fax: 02 8832 4355
sydney@stoddart.com.au

VIC & TAS
Tel: 03 9565 4699
Fax: 03 9565 4655
melbourne@stoddart.com.au

WA
Tel: 08 9414 1343
Fax: 08 9414 1361
perth@stoddart.com.au

SA & NT
Tel: 1300 79 1954
adelaide@stoddart.com.au