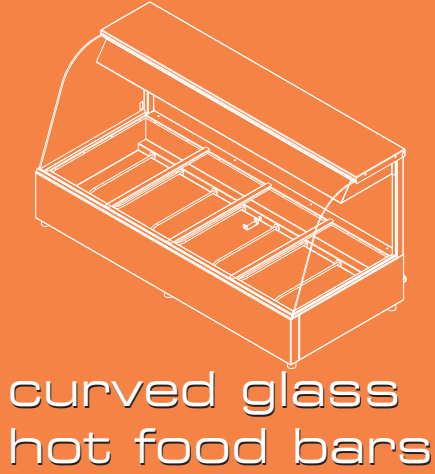


FOOD DISPLAY SERIES



The curved profile display



Multiple element design



Quartz infra-red overhead heat lamps



Precise thermostat control

APPLICATION

Ideal for the displaying of pre-cooked foods

STANDARD FEATURES

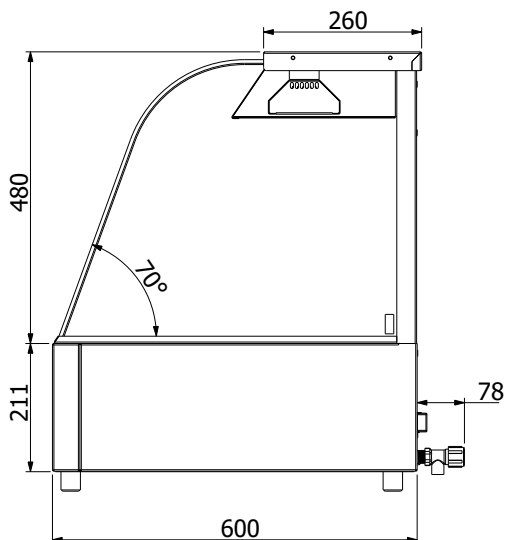
- ❑ Fully sealed toughened glass used throughout for maximum safety and hygiene
- ❑ Radiused bottom glass channel for ease of cleaning
- ❑ Stainless steel construction with dual skin air-insulated bain marie tank for improved safety
- ❑ Multiple element design means unit will continue to operate in the event of single element failure
- ❑ Thermostat controls with clear temperature readout
- ❑ 15mm drain with downward emptying tap
- ❑ Overhead heat lamps wired to maximise light, heat and reliability - with lamp guard
- ❑ Full size gastronorm cavity to take choice of 65mm and 100mm pan combinations (pans not included)
- ❑ Easy to service via rear access panel
- ❑ Identical footprint to other Woodson food bar models
- ❑ Can be run both wet and dry
- ❑ 2 & 3 bay supplied with 10 amp plug & lead
- ❑ 4, 5 & 6 bay supplied with 15 amp plug & lead

OPTIONS

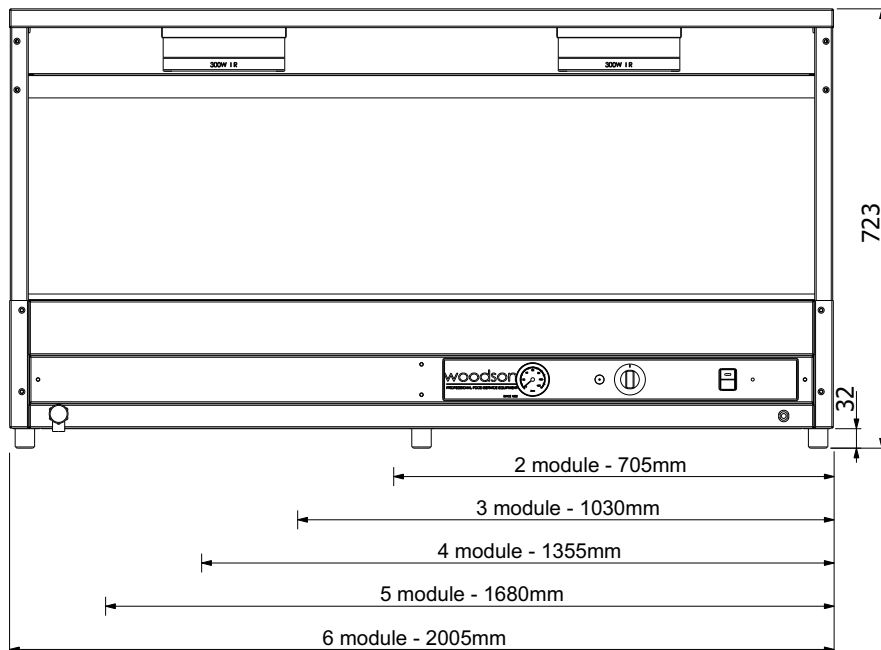
Easy to accessorise:

- ❑ Rear glass sliding doors (add G to code)
- ❑ 1/2 GN pans, 65mm deep (add 65 to code)
- ❑ Trolleys & trolley accessories

SIDE VIEW



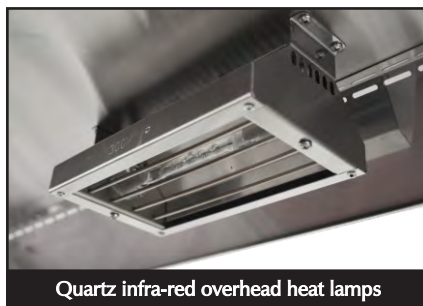
REAR VIEW



We reserve the right to alter specifications of products without notice

AVAILABLE MODELS

MODEL	Description	Dimensions	Power
WHFC22.G	2 module unit with rear sliding glass doors	705 x 600 x 725	1.5kW - 10 Amp
WHFC22.G.65	As above, with 4 x 1/2 GN pans, 65mm deep		
WHFC23.G	3 module unit with rear sliding glass doors	1030 x 600 x 725	2.4kW - 10 Amp
WHFC23.G.65	As above, with 6 x 1/2 GN pans, 65mm deep		
WHFC24.G	4 module unit with rear sliding glass doors	1355 x 600 x 725	3.0kW - 15 Amp
WHFC24.G.65	As above, with 8 x 1/2 GN pans, 65mm deep		
WHFC25.G	5 module unit with rear sliding glass doors	1680 x 600 x 725	3.3kW - 15 Amp
WHFC25.G.65	As above, with 10 x 1/2 GN pans, 65mm deep		
WHFC26.G	6 module unit with rear sliding glass doors	2005 x 600 x 725	3.3kW - 15 Amp
WHFC26.G.65	As above, with 12 x 1/2 GN pans, 65mm deep		



For details of your local dealer contact:

QLD
Tel: 07 3440 7600
Fax: 07 3344 1000
fse@stoddart.com.au

WA
Tel: 08 9414 1343
Fax: 08 9414 1361
perth@stoddart.com.au

NSW
Tel: 02 8832 4399
Fax: 02 8832 4355
sydney@stoddart.com.au

VIC & TAS
Tel: 03 9565 4699
Fax: 03 9565 4655
melbourne@stoddart.com.au

SA & NT
Tel: 1300 79 1954
adelaide@stoddart.com.au

Dealer: