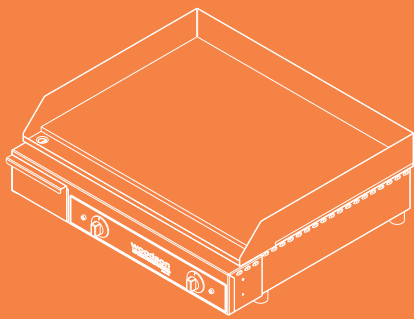


# GRIDDLES



## W.GDA60 large griddle

### APPLICATIONS

- Large flat surfaced fryer for burgers, bacon, eggs, steaks, etc.

### CAPACITY GUIDE

- 14 x 7oz steaks or equivalent

### FEATURES & BENEFITS

- 8mm thick cast steel hot plate - 670mm x 484mm
- Removable grease drain drawer
- Dual thermostat control for half cooking area feature and pilot light to indicate power on
- Complete stainless steel construction
- Supplied with 20 amp plug and lead



Removable grease drain drawer

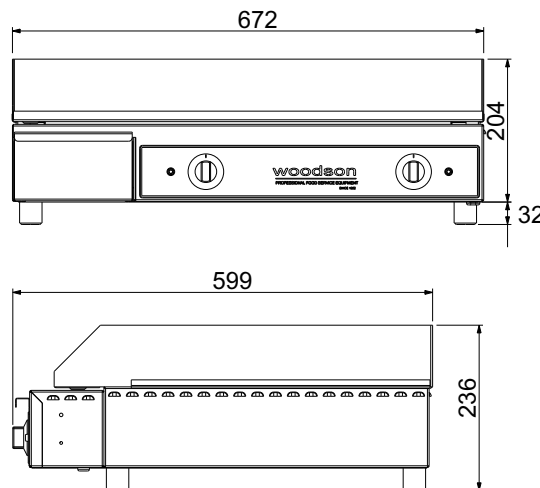


Thermostatically controlled to suit your needs

## W.GDA60

### WGDA60 SPECIFICATIONS

kW 4.8	Amps 20	Weight ??kg
W 675	D 600	H 236



We reserve the right to alter specifications of products without notice

Dealer:

**For details of  
your local  
dealer, contact:**

**QLD**  
Tel: 07 3440 7600  
Fax: 07 3344 1000  
fse@stoddart.com.au

**NSW**  
Tel: 02 8832 4399  
Fax: 02 8832 4355  
sydney@stoddart.com.au

**VIC & TAS**  
Tel: 03 9565 4699  
Fax: 03 9565 4655  
melbourne@stoddart.com.au

**WA**  
Tel: 08 9414 1343  
Fax: 08 9414 1361  
perth@stoddart.com.au

**SA & NT**  
Tel: 1300 79 1954  
adelaide@stoddart.com.au