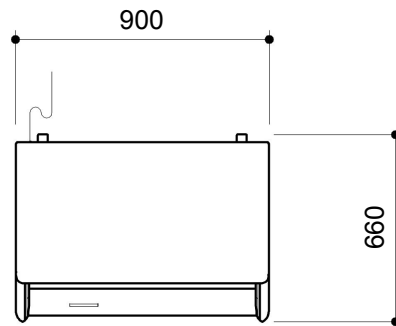


Specifications

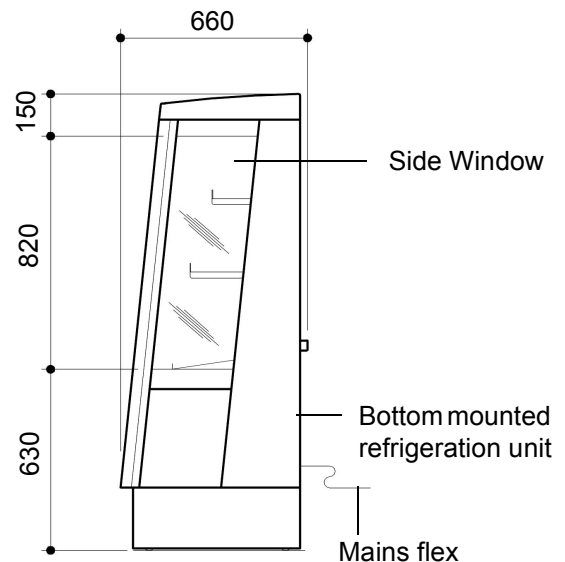
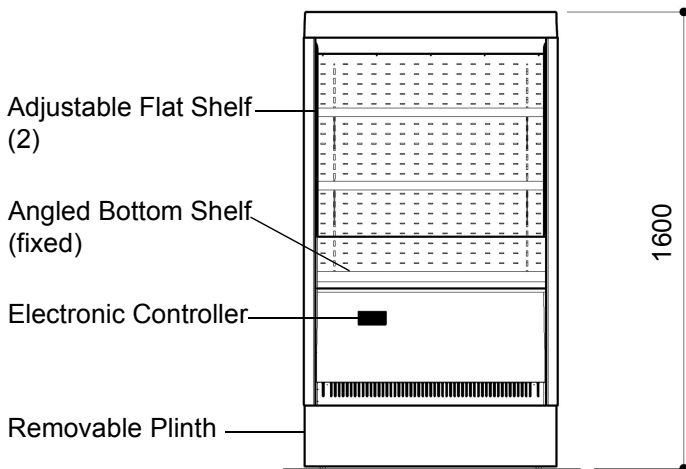
OD400

Open Deck Chiller (Coles)



CABINET DIMENSIONS

	External	Internal
Height:	1600mm	792mm
Width:	900mm	820mm
Depth:	660mm	370mm
Floor area:	0.594m ²	



Copyright © 2006 SKOPE Industries Limited

CABINET SPECIFICATIONS

Refrigeration system:	Electronic controlled, bottom mounted SKOPE refrigeration system
Refrigerant / Charge:	R404A / 900g
Nominal capacity:	907 Watts
Cabinet internal volume:	208 litres
Cabinet temperature range:	0°C to +5°C
Drainage:	No plumbing required
Electrical:	220-240 Volts a.c. 50 Hz, single phase supply, 3.8 Amp
Power cord length:	2.5m
Internal lighting:	2 vertical lights: 14 Watt T5 fluorescent tube (Ø16mm x 550mm)
Internal opening size:	800mm wide x 645mm high
Insulation:	35mm polyurethane foam
Shelving:	2 adjustable height flat shelves plus 1 fixed angle bottom shelf
Total weight:	135 kg

SKOPE Industries Limited reserve the right to alter specifications without notice.

Rev 1.0 Oct. 2006 edition



SKOPE INDUSTRIES LIMITED



New Zealand Freephone: 0800 947 5673, Fax: (03) 983 3896. Australian Freephone: 1800 121 535, Freefax: 1800 121 533

Email: enquiry@skope.co.nz Website: www.skope.co.nz